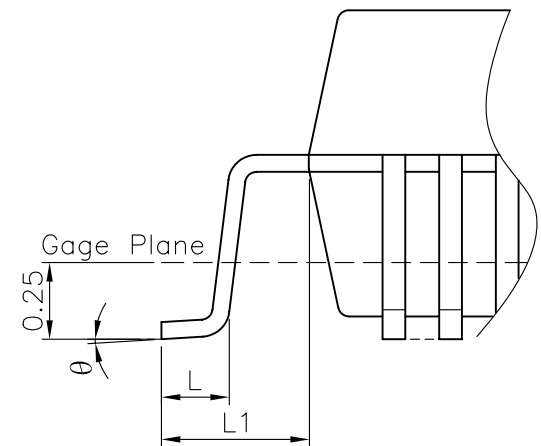
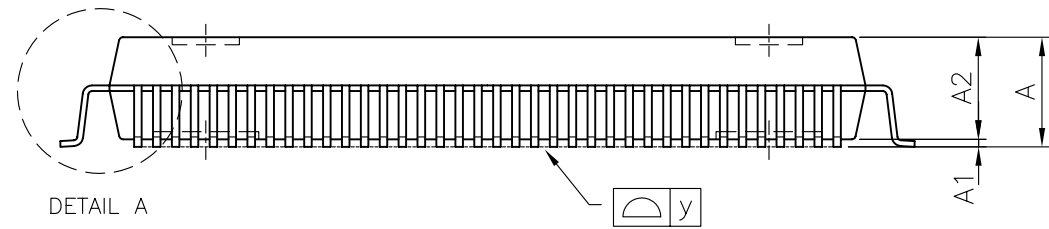
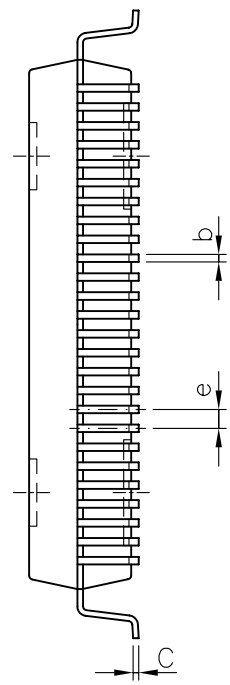
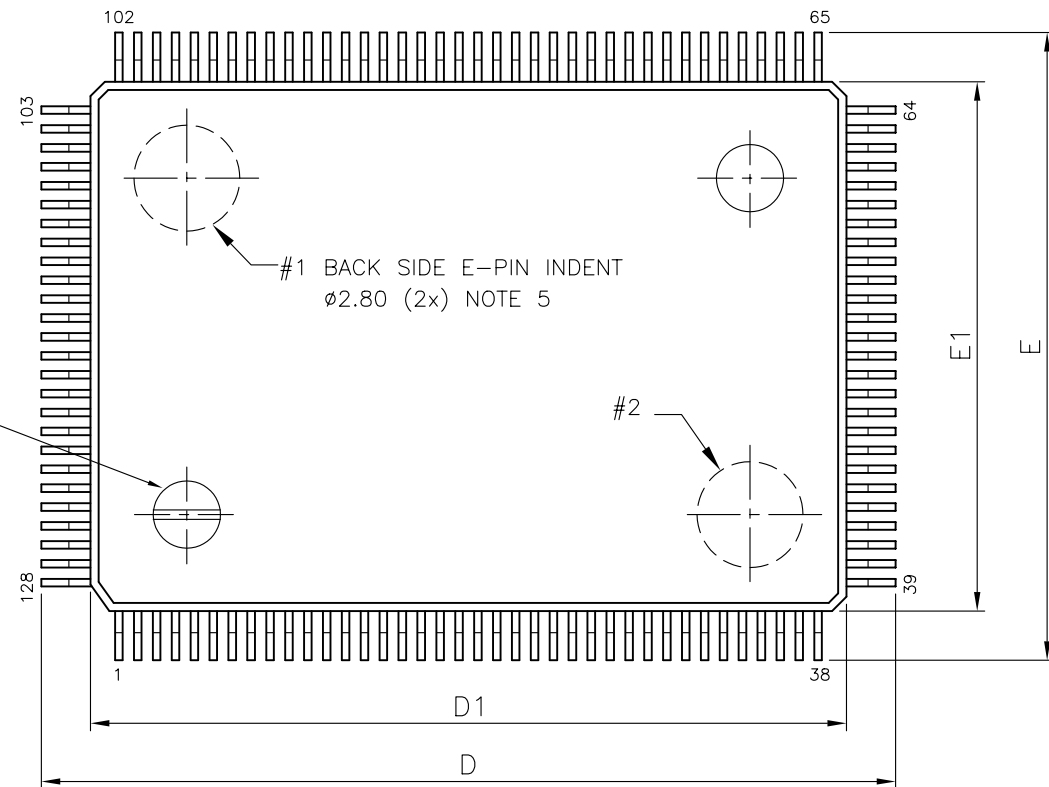
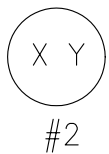


PIN 1 IDENTIFIER $\phi 1.778(2X)$
 DEPTH 0.05 - 0.15
 SURFACE POLISHED



NOTES :

1. ALL DIMENSIONS ARE IN MM.
2. LEAD FRAME MATERIAL IS COPPER C7025.
3. DIMENSION "D1", "E1" DOES NOT INCLUDE IMOLD FLASH OR PROTRUSIONS. THEY SHALL NOT EXCEED 0.25 PER SIDE.
4. DIMENSION "b" DOES NOT INCLUDE DAMBAR PROTRUSIONS. ALLOWABLE DAMBAR PROTRUSION SHALL NOT CAUSE THE LEAD WIDTH TO EXCEED THE MAXIMUM b DIMENSION BY MORE THAN 0.08 mm.
5. BOTTOM E-PIN INDENT ARE MARKED AS BELOW :



X : A ~ M
 Y : 1 ~ 6

NO : DENOTE MOLD SET NUMER

SYMBOLS	DIMENSIONS IN MILLIMETERS			DIMENSIONS IN INCHES		
	MIN	NOM	MAX	MIN	NOM	MAX
Δ A	2.75	3.05	3.40	0.108	0.120	0.134
Δ A1	0.25	0.35	0.50	0.010	0.014	0.020
A2	2.50	2.70	2.90	0.098	0.106	0.114
b	0.17	—	0.27	0.007	—	0.011
Δ C	0.11	0.15	0.23	0.004	0.006	0.009
Δ D	22.96	23.20	23.44	0.904	0.913	0.923
Δ D1	19.90	20.00	20.10	0.783	0.787	0.791
Δ E	16.94	17.20	17.45	0.667	0.677	0.687
E1	13.90	14.00	14.10	0.547	0.551	0.555
e	—	0.50	—	—	0.020	—
L	0.73	0.88	1.03	0.029	0.035	0.041
L1	—	1.60	—	—	0.063	—
y	0.00	—	0.076	0.00	—	0.003
θ	0°	—	7°	0°	—	7°

CUSTOMER :		LINGSEN 5-1 NAN 2ND ROAD T.E.P.Z PRECISION IND, LTD TAICHUNG, TAIWAN. R. O. C	
APPROVED BY	DATE	TITLE:	
DRAW BY: <i>Kelly Ho</i>	10/19/06	128L QFP PACKAGE OUTLINE DRAWING (14x20 mm) (FOOTPRINT : 3.2 mm)	
CHECK BY: <i>Jian Jong Lai</i>	10/19/06	DWG. NO.	REV.
APPROVAL: <i>Parker Chen</i>	10/19/06	PO-QFP-001	1
APPROVAL: <i>Andy Yang</i>	10/20/06	UNIT :	SCALE : 5/1
		mm	SHEET 1 OF 1