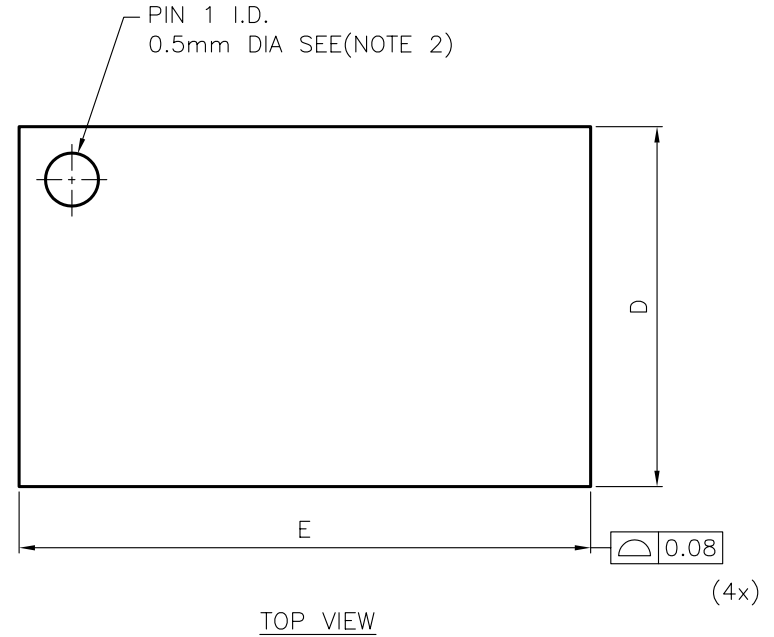
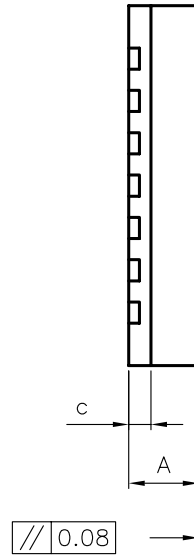


BOTTOM VIEW



TOP VIEW

- NOTE :
1. ALL DIMENSION ARE IN MILLIMETERS.
 2. PIN A1 ID. WILL BE MARKED BY LASER.

SYMBOLS	DIMENSIONS IN MILLIMETERS		
	MIN	NOM	MAX
A	0.61	0.66	0.71
øb	0.25	0.30	0.35
b1	0.15	0.20	0.25
C	—	0.21	—
D	3.30	3.40	3.50
E	5.30	5.40	5.50
e	—	0.40	—
e1	—	0.50	—
L	0.30	0.40	0.50

CUSTOMER :		LINGSEN 5-1 NAN 2ND ROAD T.E.P.Z PRECISION IND., LTD. TAICHUNG., TAIWAN. R. O. C		
APPROVED BY	DATE	TITLE: VFLGA 44L (5.4x3.4mm) PACKAGE OUTLINE DRAWING		
DRAW BY: <i>Sandy Sue</i>	09/01/08			
CHECK BY: <i>Jaffery Ho</i>	09/04/08	DWG. NO. PO-VFLGA-004 REV. 0		
APPROVAL: <i>Parker Chen</i>	09/04/08			
APPROVAL: <i>Andy Yang</i>	09/05/08	UNIT : mm	SCALE : 20/1	SHEET 1 OF 1