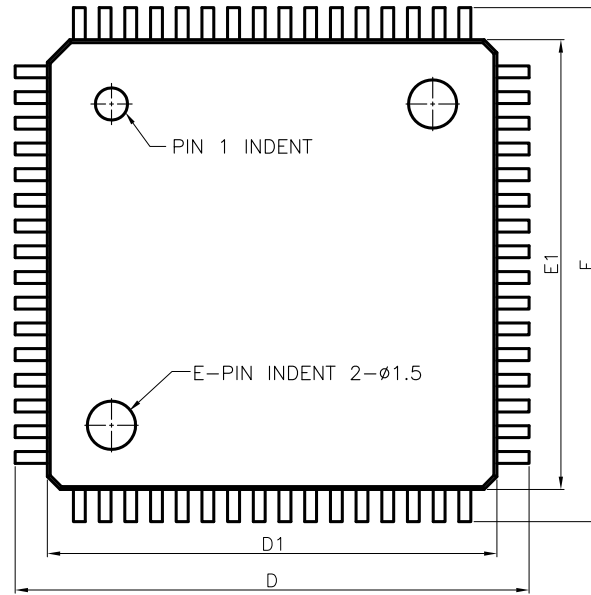
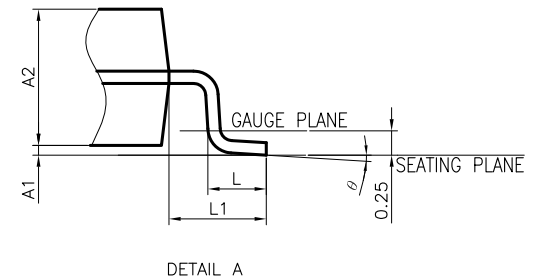
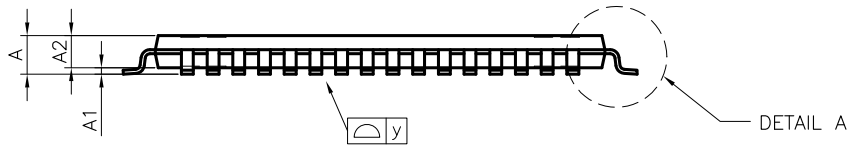
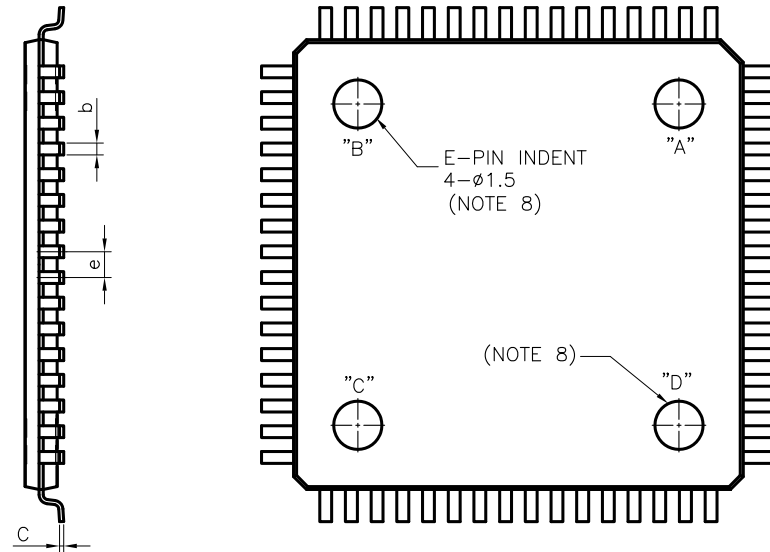


TOP VIEW



BOTTOM VIEW

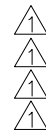


NOTE :

1. CONTROLLING DIMENSION : mm
2. LEAD FRAME MATERIAL : COPPER 7025
3. DIMENSION "D1 AND E1" DOES NOT INCLUDE MOLD PROTRUSIONS. MOLD PROTRUSIONS SHALL NOT EXCEED 0.010"[0.25mm] PER SIDE.
4. DIMENSION "b" DOES NOT INCLUDE DAMBAR PROTRUSION. ALLOWABLE DAMBAR PROTRUSION SHALL BE 0.003"[0.08mm] TOTAL IN EXCESS OF THE "b" DIMENSION AT MAXIMUM MATERIAL CONDITION. DAMBAR CANNOT BE LOCATED ON THE LOWER RADIUS OR THE FOOT. MINIMUM SPACE BETWEEN PROTRUSION AND AN ADJACENT LEAD TO BE 0.0028"[0.07mm]
5. TOLERANCE : ±0.010"[0.25mm] UNLESS OTHERWISE SPECIFIED.
6. OTHERWISE DIMENSION FOLLOW ACCEPTABLE SPEC.
7. REFERENCE DOCUMENT : JEDEC SPEC MS-026
8. BOTTOM E-PIN INDENT IN MARKED AS BELOW :



X : A, B, C.....
 Y : 1 ~ 8
 NO : DENOTES MOLD SET NUMBER



| SYMBOL | DIMENSIONS IN MILLIMETERS | | |
|--------|---------------------------|-------|-------|
| | MIN. | NOM. | MAX. |
| A | — | — | 1.20 |
| A1 | 0.05 | — | 0.15 |
| A2 | 0.95 | 1.00 | 1.05 |
| b | 0.30 | 0.37 | 0.45 |
| C | 0.09 | — | 0.20 |
| E | 15.75 | 16.00 | 16.25 |
| E1 | 13.90 | 14.00 | 14.10 |
| D | 15.75 | 16.00 | 16.25 |
| D1 | 13.90 | 14.00 | 14.10 |
| e | — | 0.80 | — |
| L | 0.45 | 0.60 | 0.75 |
| L1 | — | 1.00 | — |
| Ø | 0° | 3.5° | 7° |
| y | 0.00 | — | 0.08 |

| | | | |
|--------------------------------|----------|---|---------|
| CUSTOMER : | | LINGSEN 5-1 NAN 2ND ROAD T.E.P.Z. PRECISION IND., LTD. TAICHUNG, TAIWAN, R. O. C. | |
| APPROVED BY | DATE | TITLE: | |
| DRAW BY: <i>Sandy Liu</i> | 04/01/04 | 64L TQFP PACKAGE OUTLINE DRAWING (14x14x1.0 mm) (FOOTPRINT : 2.0mm) | |
| CHECK BY: <i>Bunk Huang</i> | 04/01/04 | DWG. NO. | REV. |
| APPROVAL: <i>Dennis Liu</i> | 04/01/04 | PO-TQFP-010 | 1 |
| APPROVAL: <i>Kevin Liu</i> | 04/01/04 | UNIT : | SCALE : |
| | | mm | 6/1 |
| | | SHEET 1 OF 1 | |