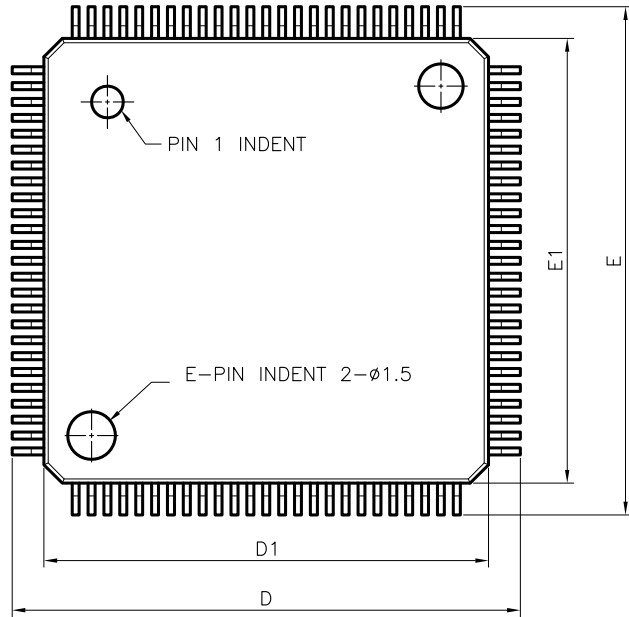
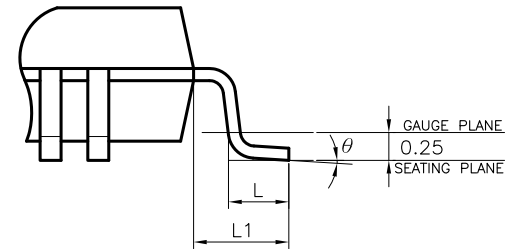
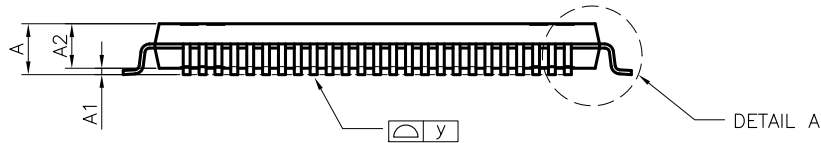
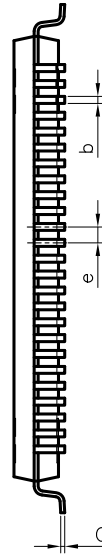
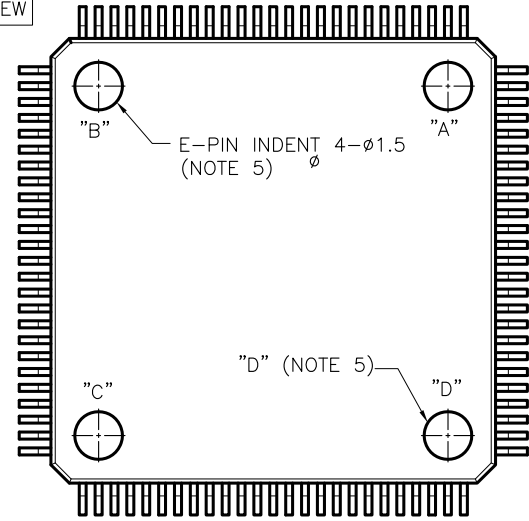


TOP VIEW

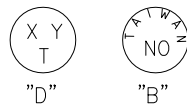


BOTTOM VIEW



NOTE :

- CONTROLLING DIMENSION : mm
- LEAD FRAME MATERIAL : COPPER C7025
- PACKAGE DIMENSION EXCLUSIVE MOLDING FLASH ALLOWABLE PROTRUSION IS 0.25mm PER SIDE.
- DIMENSION b DOES NOT INCLUDE DAMBER PROTRUSION. ALLOWABLE DAMBER PROTRUSION SHALL NOT CAUSE THE LEAD WIDTH TO EXCEED THE MAXIMUM b DIMENSION BY MORE THEN 0.08 mm.
- BOTTOM E-PIN INDENT ARE MARKED AS BELOW :



X : A ,B ,C....
Y : 1 ~ 8
NO : DENOTE MOLD SET NUMBER

6. JEDEC NUMBER : MS-026

SYMBOL	DIMENSIONS IN MILLIMETERS		
	MIN.	NOM.	MAX.
A	—	—	1.60
A1	0.05	—	0.15
A2	1.35	1.40	1.45
b	0.17	0.22	0.27
C	0.09	—	0.20
E	—	16.00	—
E1	—	14.00	—
D	—	16.00	—
D1	—	14.00	—
e	—	0.50	—
L	0.45	0.60	0.75
L1	—	1.00	—
θ	0°	3.5°	7°
y	0.00	—	0.08

CUSTOMER :		LINGSEN 5-1 NAN 2ND ROAD T.E.P.Z. PRECISION IND., LTD. TAICHUNG, TAIWAN, R. O. C.	
APPROVED BY	DATE	TITLE:	
DRAW BY: <i>Vicky Chen</i>	<i>08/07/98</i>	100L LQFP PACKAGE OUTLINE DRAWING (14x14x1.4 mm) (FOOTPRINT : 2.0 mm)	
CHECK BY: <i>Thomas Kao</i>	<i>8/10/98</i>	DWG. NO.	REV.
APPROVAL: <i>Dean Tsai</i>	<i>8/10/98</i>	PO-LQFP-007	0
APPROVAL: <i>Barry Chen</i>	<i>8/10/98</i>	UNIT : mm	SCALE : 6/1
		SHEET 1 OF 1	